

[TopPage](#)>>[Search Result](#)>>7232DT

# Angular Contact Ball Bearings

Bearing No. : **NACHI 7232DT**

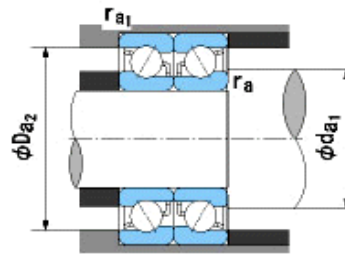
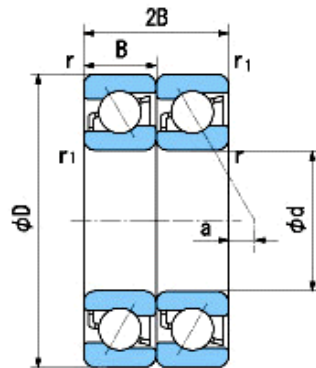
■ Bearing Type

■ Clearance

■ Tolerance Class

### Dimensions

d = 160<sup>0</sup><sub>-0.025</sub>  
 D = 290<sup>0</sup><sub>-0.035</sub>  
 B = 48<sup>0</sup><sub>0.000</sub>  
 r = 3~5  
 (Radial Direction)  
 r = 3~8  
 (Axial Direction)  
 r1 = 1.1~2.5  
 (Radial Direction)  
 r1 = 1.1~4  
 (Axial Direction)  
 a = 41



### Dimensions

da1(min) = 174  
 da2(min) = 167  
 Da1(max) = 276  
 Da2(max) = 283  
 ra(max) = 2.5  
 ra1(max) = 1  
 Mass = 27.4 kg

Basic Dynamic Load Rating Cr : **425,000** N

Basic Static Load Rating Cor : **615,000** N

Limiting Speed ;

Grease Lubrication : **1,500** min<sup>-1</sup>

Oil Lubrication : **2,000** min<sup>-1</sup>

	INNER RING	OUTER RING
O.D.Surface Runout with Side :		-
Axial Runout with Bore :	-	-
Axial Runout with Raceway :	-	-
Width Variation :	<b>0.030</b>	<b>0.030</b>
Radial Runout :	<b>0.030</b>	<b>0.060</b>